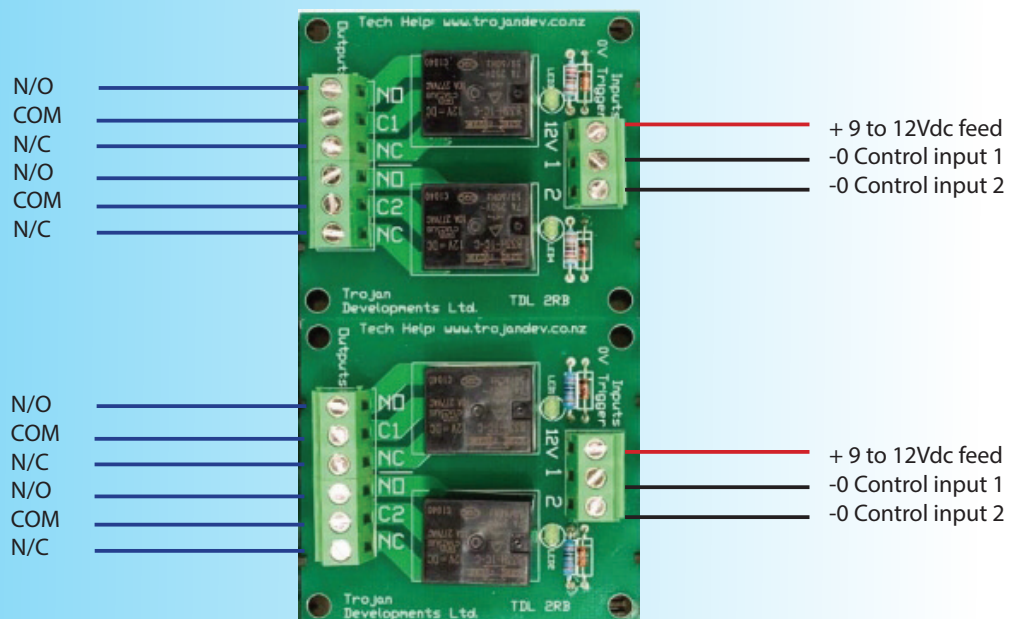


Four Way Relay Board SPST

The TDL-4RB is a 4 Way 8 Amp Relay Board. It has 4 x 12Vdc inputs that can switch 4 separate 8 Amp single pole double throw relays.

Installation Wiring Diagram



Specifications:

- ▼ Four way Relay Board
- ▼ Operating Voltage 9 to 16Vdc - 38mA at 13.6 Vdc per relay
- ▼ 12Vdc negative trigger input
- ▼ Four Single Pole Double Throw relays
- ▼ Contacts rated at 8 Amps AC/DC
- ▼ Dimensions: 110mm (w) x 60mm (h) x 23mm (d)

Product code:

- ▼ TDL-4RB

▼ www.trojandev.co.nz

▼ sales@trojandev.co.nz

