

TDL-4FB

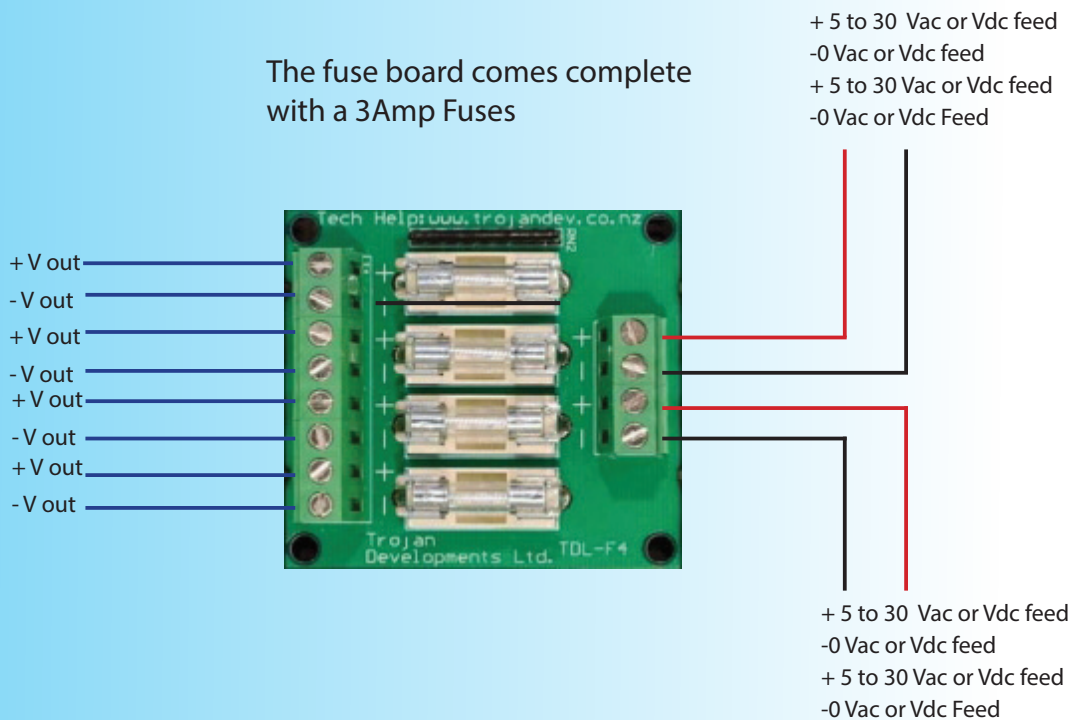
TROJAN
DEVELOPMENTS

Four Way Fuse

The TDL-4FB is a 4 Way Fuse Board. It has 4 individual fused outputs. Each fuse has an associated LED to indicate that the fuse is operative. The LED illuminates green for normal positive 12Vdc operation and amber for AC voltages up to 24Vac.

Installation Wiring Diagram

The fuse board comes complete with a 3Amp Fuses



Specifications:

- ▼ 4-Way Fuse Board
- ▼ Fuse size: 20mm x 5mm
- ▼ Terminals for positive and negative outputs - the positive outputs are fused
- ▼ Suitable for AC and DC power supplies
- ▼ Maximum supply current per 4-way fuse board is 20 Amps
- ▼ Maximum output current is 5 Amps
- ▼ Dimensions: 55mm (w) x 60mm (h) x 23mm (d)

Product code:

- ▼ TDL-4FB

▼ www.trojandev.co.nz

▼ sales@trojandev.co.nz



developing innovative egress solutions since 1987