

Press-to-Exit request to exit device for use with Access Control Systems

The Press Rex[®] (Press to Exit) has an illuminated silicone push button of a size that can easily be pressed and seen in areas of limited lighting. It also operates from 10 to 30Vdc.

Installation Wiring Diagram

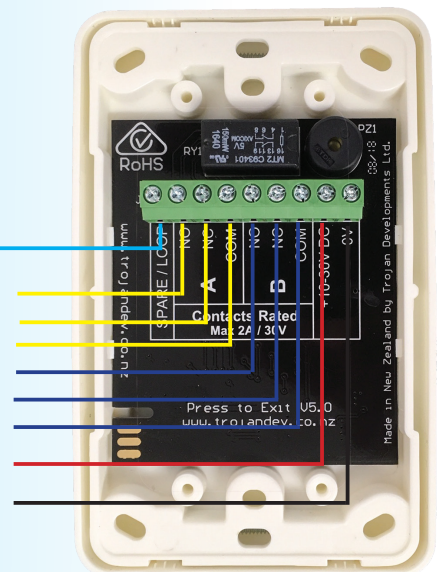
Spare / Loop terminal for other terminations

Set "A" Contacts connect to the Request to Exit input on the Access Control door module. You might need an EOL resistor.

Set "B" Contacts are used when there is a requirement for a second input to control the door direct.

The +10 to 30Vdc supply has to be from the same Power Supply as the reader. Not the Lock PSU.

COM
N/C
N/O
COM
N/C
N/O
+10-30Vdc
-0Vdc



Silicone Button
LED Illumination which changes from blue to green when activated



Product code:

▼ Press Rex

▼ www.trojandev.co.nz

▼ sales@trojandev.co.nz

