

Emergency Exit Device for use with Access Control Systems

The Em Rex® (Emergency Exit Device) is an emergency door release unit which can be used on its own or in conjunction with the Prox Rex® units, to make up a total access controlled exit solution. The Em-Rex has to be mounted below the Prox Rex or Press Rex units

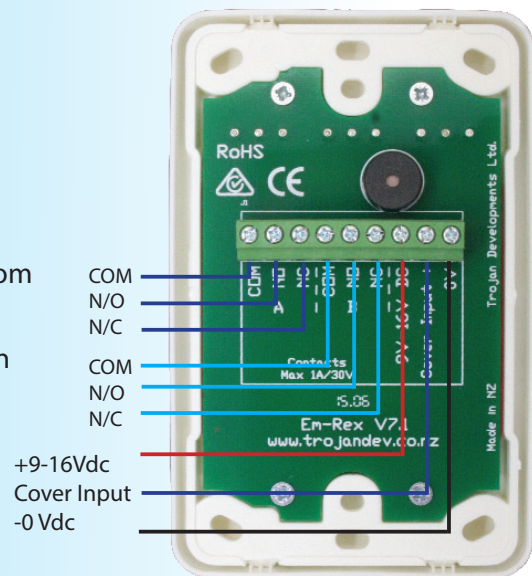
Installation Wiring Diagram

Set "A" Contacts wire in series with the lock power using the Com and Normally closed contacts.

Set "B" Contacts can be connected direct to the alarm input on the CCTV system for recording the door upon activation of the Emergency Break glass unit.

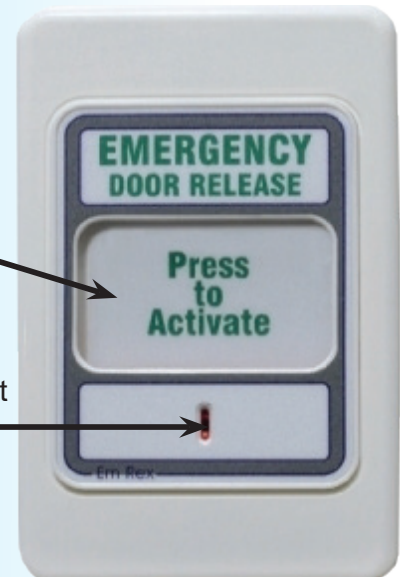
The +9 to 16Vdc supply has to be from the same Power Supply as the reader. Not the Lock PSU.

The cover input can also be operated with a +9 - 16Vdc from the same power supply source.



To Activate: Press firmly on window

To Reset: Insert the reset tool into the slot and pull down



Product code:

▼ Em Rex

▼ www.trojandev.co.nz

▼ sales@trojandev.co.nz

