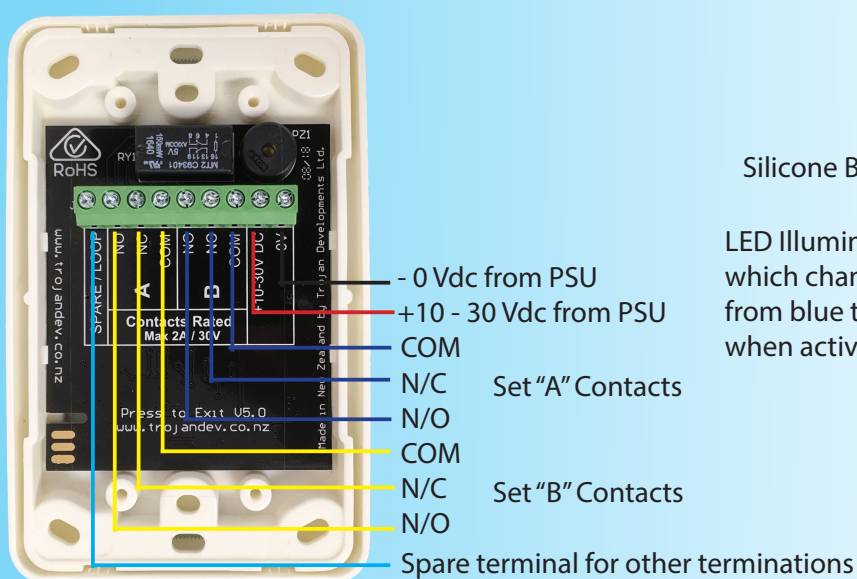


## Press-to-Exit request to exit device for use with Access Control Systems

The Press Rex® (Press to Exit) has an illuminated silicon push button of a size that can easily be pressed and seen in areas of no lighting. It also operates from 10 to 30Vdc.


## Installation



Silicone Button  
LED Illumination which changes from blue to green when activated



## Specifications:

- ▼ Single gang profile fits standard electrical flush box
- ▼ Power requirements 10 to 30Vdc - 50mA at
- ▼ Two sets of clean Common N/O and N/C outputs
- ▼ The contacts are rated at 2 AMP 30Vdc
- ▼ There is a spare terminal for terminating other cables
- ▼  C-Tick Certified

## Product code:

- ▼ Press Rex

▼ [www.trojandev.co.nz](http://www.trojandev.co.nz)

▼ [sales@trojandev.co.nz](mailto:sales@trojandev.co.nz)

